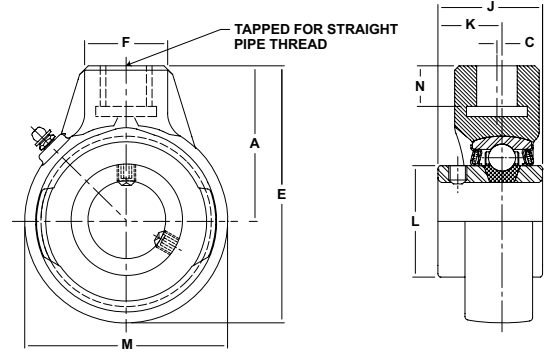




- Duty:** Varies
- Rolling Elements:** Ball
- Housing:** Ductile Iron Hanger Bearing
- Self Alignment:** +/- 2 Degrees
- Lock:** Setscrew
- Seal:** Felt
- Optional Seal:** Contact
- Temperature:** -20° to 220°F



SEHB Series Hanger Bearing External Lube - Setscrew Locking

Bore Diameter		Part No.	Bearing Insert No.	Basic Dynamic Rating lb/N	Dimensions inch / mm								Pipe Tap* N.P.S.M.	N Thread Length	Unit Wt. lb/kg
inch	mm				A	C	E	F	J	K	L	M			
15/16	25	SEHB-15	3-015	4381 19487	2 1/2 63.5	-	4 1/16 103.2	1 9/16 39.7	1 1/2 38.1	7/8 22.2	1 19/32 40.5	3 1/8 79.4	3/4-14	13/16	2.2 1.00
1		SEHB-305	5305												
1 1/16		SEHB-16	3-1												
		SEHB-17	2-11												
	30	SEHB-206	5206	5782 25718	2 3/4 69.9	-	4 9/16 115.9	1 9/16 39.7	1 11/16 42.9	1 25.4	1 55/64 47.2	3 5/8 92.1	3/4-14	3/4	3.1 1.41
1 3/16		SEHB-19	3-13												
1 1/4		SEHB-20	2-14												
1 5/16		SEHB-21	2-15												
1 3/8		SEHB-22	2-16												
	40	SEHB-207	5207	7340 32648	2 7/8 73.0	3/32 2.4	4 3/4 120.7	1 9/16 39.7	1 15/16 49.2	1 3/16 30.2	2 1/16 52.4	3 3/4 95.3	3/4-14	3/4	3.4 1.54
1 7/16		SEHB-23	3-17												
1 1/2		SEHB-24	2-18												
1 9/16		SEHB-25	2-19												
	50	SEHB-208	5208	7889 35090	3 1/4 82.6	3/16 4.8	5 7/16 138.1	1 7/8 47.6	2 1/32 51.6	1 9/32 32.5	2 15/32 62.7	4 3/8 111.1	1-11 1/2	13/16	4.5 2.04
1 11/16		SEHB-27	3-111												
1 3/4		SEHB-28	3-112												
1 7/8		SEHB-30	2-114												
1 15/16		SEHB-31	2-115												
2	SEHB-32R	1-2													
	60	SEHB-210	5210	11789 52437	4 101.6	11/32 8.7	6 13/16 173.0	2 5/16 58.7	2 9/16 65.1	1 9/16 39.7	2 63/64 75.8	5 5/8 142.9	1 1/4-11 1/2	1 1/8	9 4.08
2 3/16		SEHB-35	3-23												
2 1/4		SEHB-36	2-24												
2 3/8		SEHB-38	2-26												
2 7/16		SEHB-39	2-27												
	75	SEHB-212	5212	14839 66004	4 5/8 117.5	3/8 9.5	7 7/8 200.0	2 3/4 69.9	3 1/16 77.8	1 3/4 44.5	3 41/64 92.5	6 1/2 165.1	1 1/2-11 1/2	1 1/4	14.6 6.62
2 11/16		SEHB-43	3-211												
2 7/8		SEHB-46	2-214												
2 15/16		SEHB-47	2-215												
	80	SEHB-215	5215	17412 77449	4 7/8 123.8	5/16 7.9	8 5/16 211.1	2 13/16 71.4	3 1/4 82.6	1 15/16 49.2	3 59/64 99.6	6 7/8 174.6	1 1/2-11 1/2	1 1/4	16.8 7.62
3		SEHB-48	3-3												
3 3/16		SEHB-51	2-33												
	100	SEHB-216	5216	29905 133017	8 1/8 206.4		13 1/4 336.6	4 3/8 111.1	4 5/8 117.5	2 11/16 68.3	5 11/64 131.4	10 1/4 260.4	2 1/2-8 1/2	2 5/8	62 28.12
3 15/16		SEHB-63	3-315												
4		SEHB-64	3-4												
		SEHB-320	5320												

For Standard (2-) Duty Bearing Inserts-Double Lock see page G-95. For Medium (3-) Duty Bearing Inserts-Double Lock see page G-97.

*Use Straight Pipe Thread.

Note: Units may be provided with tight internal bearing clearance and housing fits by adding suffix BDZ to Part No., as SEHB-19 BDZ.